

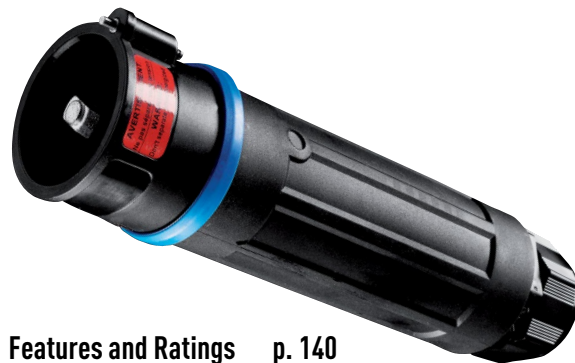
# CS1000

## High Amperage Plug and Receptacle



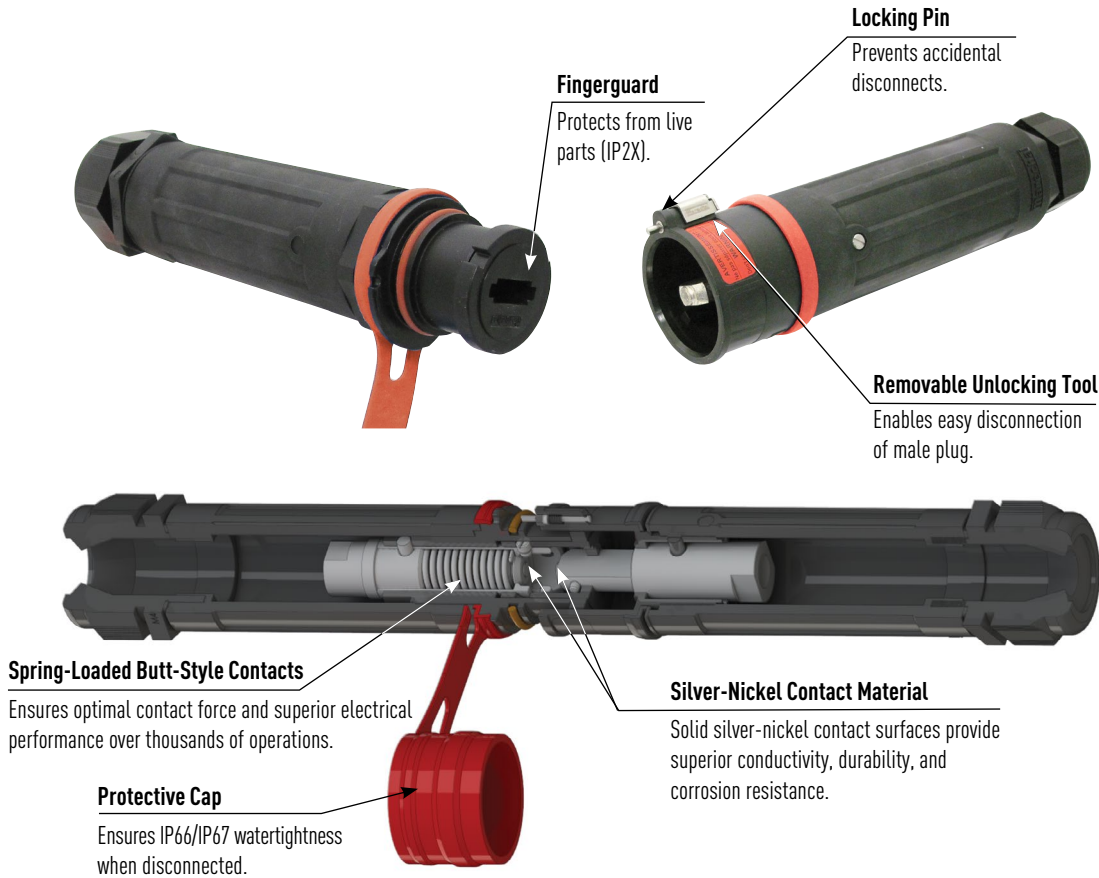
### Main Advantages

- ▶ High Amperage Capacity up to 400 A at 600 VAC, 600 VDC (in North America) or 1000 VAC, 1500 VDC (in Europe - CE rated).
- ▶ Safety features protect users from live parts and prevent unwanted disconnection.
- ▶ Silver-nickel butt contacts provide superior performance and corrosion resistance.



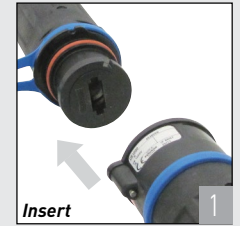
- ▶ Features and Ratings p. 140
- ▶ CS1000 p. 141
- ▶ Dimensions p. 142

# PRODUCT FEATURES

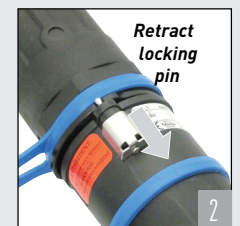


## Operating Instructions

### Connection



### Disconnection



## General Ratings

<b>Amperage</b>	400 A
<b>Voltage*</b>	1000 VAC, 1500 VDC
<b>Frequency</b>	50-400 Hz
<b>Environmental</b>	IP66/IP67
<b>Temperature</b>	min -40°F/max 140°F

\* CS1000 plugs and receptacles are UL listed in accordance with UL 1691. CS1000 devices are for use in non-load break applications up to 400 A at 600 VAC, 600 VDC (in North America) or 1000 VAC, 1500 VDC (in Europe - CE rated). NOM available if required.

## Listings

Category	UL	CSA	IEC
Single Pole Plugs and Receptacle	UL 1691	CSA 1691-12	60309-1

NOM ratings available upon request.

## Highlighted Feature

5 Mechanical Keying Positions  
(North America color codes shown.)



# CS1000 Standard Duty Plugs & Receptacles - 400 A

## UL/CSA Ratings

- **Amperage**  
400 A  
Not for Current Interrupting
- **Voltage**  
600 VAC, 600 VDC
- **Short Circuit Rating**  
10 kA Withstand  
Testing was performed with RK1 current limiting fuses sized at least 100% of the device's ampacity rating.
- **Environmental Ratings**  
IP66/IP67
- **Temperature Range**  
Min -40°F / Max 140°F  
See pg 266 for temps below -15°F.
- **Wiring Capacity**  
Min 1/0 AWG / Max 444 MCM  
90°C rated wire required
- **Applicable Standards**  
UL 1691  
CSA 1691-12

## Receptacle (female) without lug      Inlet (male) without lug



**!** Don't forget to add installation accessories to your order

## North American Configurations

North American Color Code	Polarity	Part # without lug	Part # without lug
	L1	45-34001-P80	45-38001-P80
	L2	45-34002-P80	45-38002-P80
	L3	45-34003-P80	45-38003-P80
	NEUTRAL	45-3400N-P80	45-3800N-P80
	GROUND	45-3400T-P80	45-3800T-P80
	POSITIVE	45-3400P-P80	45-3800P-P80
	NEGATIVE	45-3400M-P80	45-3800M-P80

## IEC/CE Ratings

- **Amperage**  
400 A  
Not for Current Interrupting
- **Voltage**  
1000 VAC, 1500 VDC
- **Environmental Ratings**  
IP66/IP67
- **Temperature Range**  
Min -40°F / Max 140°F  
See pg 266 for temps below -15°F.
- **Wiring Capacity**  
Min 1/0 AWG / Max 444 MCM  
185mm<sup>2</sup> stranded
- **Applicable Standards**  
CE

## IEC/CE Configurations

European Color Code	Polarity	Part # Poly	Part # Poly
	L1	45-34001	45-38001
	L2	45-34002	45-38002
	L3	45-34003	45-38003
	NEUTRAL	45-3400N	45-3800N
	GROUND	45-3400T	45-3800T
	POSITIVE	45-3400P	45-3800P
	NEGATIVE	45-3400M	45-3800M

## INSTALLATION ACCESSORIES – SIZE M

### ANGLES

POLY ANGLE			
	0°	45-3A540	Required for mounting on panels, walls, etc.
	30°	45-3A027	With Adapter Plate.

### ACCESSORIES

INLET CAP	
	45-3A126
UNLOCKING TOOL	
	45-3A396
One unlocking tool on a "valet" style separable key ring is included with each male inlet.	
PADLOCKING TOOL	
	45-3A843

# INSTALLATION ACCESSORIES – SIZE M



CRIMPING LUGS

Internal Diameter		Straight w/terminal	Straight Threaded	Flexible Wiring	Coarse Wiring
in	mm	Part #	Part #	AWG	AWG
.43	11	45-4A50C	45-4A50D	1/0 <sup>1</sup>	2/0
.51	13.1	45-4A70C	45-4A70D	2/0, 3/0	3/0, 4/0
.57	14.5	45-4A95C	45-4A95D	4/0	250
.64	16.2	45-4A12C	45-4A12D	262	300
.71	18	45-4A15C	45-4A15D	300, 313	350
.81	20.6	45-4A18C	45-4A18D	350*, 373	400, 500
.91	23.1	45-4A24C	45-4A24D	444*, 500, 535	600

**Notes:** \* Class H & I  
<sup>1</sup> The ground conductor shall be limited to a maximum size of 1/0 AWG.  
 UL listing performed with Greenlee EK6IDL11 dieless tool and Dewalt DCE300M2 with Greenlee KC12 dies. \*Only for use with Greenlee EK6IDL11 dieless tool.

HANDLES

HANDLE	Cable Outside Diameter	Part #	
	0.50-1.00 in	45-3A753	Normal Duty 100 lb grip
	0.70-1.26 in	45-3A783	

Not UL/CSA listed

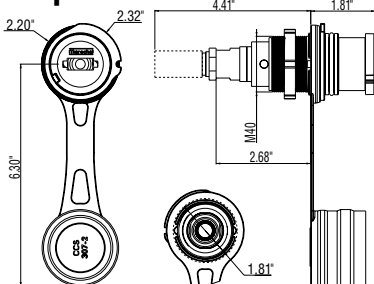
HANDLE w/Cord Grip (Mesh)	Cable Outside Diameter	Part #	Cable Outside Diameter	Part #
	0.50-0.63 in	45-3A753-A	0.88-1.00 in	45-3A783-A
	0.56-0.69 in	45-3A753-B	1.00-1.13 in	45-3A783-B
	0.63-0.75 in	45-3A753-C	1.13-1.25 in	45-3A783-C
	0.69-0.81 in	45-3A753-D	1.25-1.38 in	45-3A783-D
	0.75-0.88 in	45-3A753-E		

Heavy-Duty  
300 lb grip

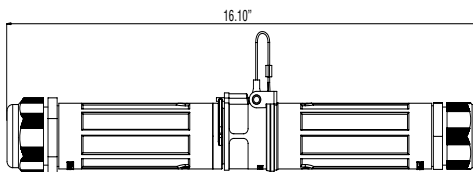
## Dimensions Inlet/Receptacle – Provided in inches

Dimensions are for reference only and may change depending on accessories used. For precise dimensions contact MELTRIC Engineering.

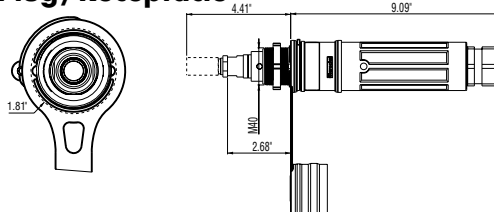
### Receptacle



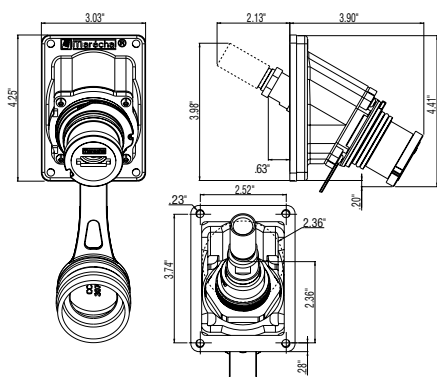
### Inline Connector



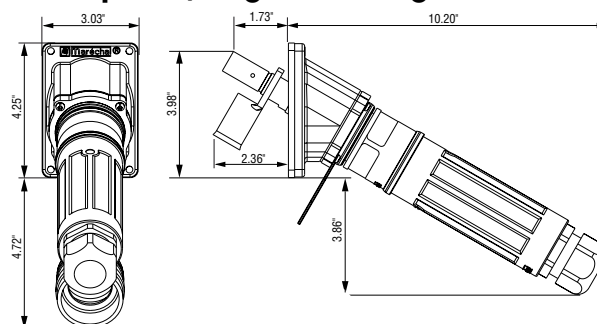
### Plug/Receptacle



### 30° Inclined Receptacle / Angle



### 30° Receptacle / Angle with Plug



HIGH AMPACITY